



## TECHNICAL ELECTIVES CONTINUED

Multimedia Systems  
 Computer Communication Networks II  
 Wireless Communications  
 Nanoelectronics  
 Power Semiconductor Devices & Integ. Circuits  
 Analysis & Design of Power Electronic Circuits  
 Transistors  
 Microdevices and Micromachining Technology  
 Control Engineering  
 Robotics: Algorithms and Control  
 Electromechanical Energy Conversion  
 Digital Systems Design  
 Advanced Computer Architecture  
 Introduction to VLSI Design  
 Analog and Mixed-Signal VLSI Design  
 Computer Systems Design  
 Coding and Cryptography

ECE 434	F	3	ECE 310
ECE 436	Sp	3	ECE 333
ECE 437	F	3	ECE 311 and ECE 341
ECE 440	F	3	ECE 346; or consent of the instructor
ECE 442	Sp	4	ECE 342 and ECE 346
ECE 445	F	4	ECE 342; and grade of C or better in ECE 310
ECE 448	Sp	3	ECE 346
ECE 449	Sp	4	ECE 347; or consent of the instructor
ECE 451	F	3	ECE 350
ECE 452	Sp	3	CS 201; & gr. of C or bett. in ECE 210 or gr. of C or bett. in ECE 225
ECE 458	F	3	Grade of C or better in ECE 225
ECE 465	F,Sp	3	Gr. of C or better in PHYS 142; and Gr. of C or better in ECE 265 or Gr. of C or better in CS 366.
ECE 466	F,Sp	3	CS 366; or ECE 366
ECE 467	F	4	ECE 340
ECE 468	Sp	4	ECE 467
ECE 469	Sp	3	CS 366; or ECE 366 and ECE 368
MCS 425		3	Gr. of C or bett. in MATH 215; &Gr. of C or bett. in MATH 310 or Gr. of C or bett. in MATH 320; or consent of the instructor

## NONENGINEERING AND GENERAL EDUCATION REQUIREMENTS(48 hrs)

## COURSE TITLE

## NUMBER

## HRS. PREREQUISITES

General Chemistry I Lecture*c	CHEM 122	4	Grade of C or better in CHEM 101 or adequate performance on the UIC Chemistry placement examination; and concurrent registration or Grade of C or better in CHEM 123
General Chemistry I Laboratory*b,*c	CHEM 123	1	Gr. of C or better in CHEM 101; and concurrent registration or Grade of C or better in CHEM 122
Academic Writing I:WAPC	ENGL 160	3	Performance on Dept. Placement Test
Academic Writing II:WIR	ENGL 161	3	ENGL 160 or the equivalent
Exploring World Cultures course*a		3	
Understanding the Creative Arts course*a		3	
Understanding the Past course*a		3	
Understanding the Individual and Society course*a		3	
Understanding US Society course*a		3	
Calculus I*b	MATH 180	4	C or better in MATH 121 or app. perf. on the dept. pl. test
Calculus II*b	MATH 181	4	C or better in MATH 180
Calculus III*b	MATH 210	3	C or better in MATH 181
Introduction to Differential Equations I	MATH 220	3	C or better in MATH 210
General Physics I (Mechanics)*b	PHYS 141	4	C or better or concurrent registration in MATH 180; or approval of the dept; and C or better in PHYS 100 or adequate performance on the departmental placement test.
General Physics II (Electricity & Magnetism)*b	PHYS 142	4	Gr. of C or bett. in MATH 181&Gr. of C or bett. in PHYS 141 or consent of the instructor

\*a-Consult General Education section of the catalog for approved courses in this category;\*b-Course approved for the Analyzing the Natural World General Education category, \*c-General Education credit is given for successful completion of both CHEM 122 and CHEM 123.

**Additional Mathematics Course (6 hrs)**

(Students must complete at least two of the following courses.)

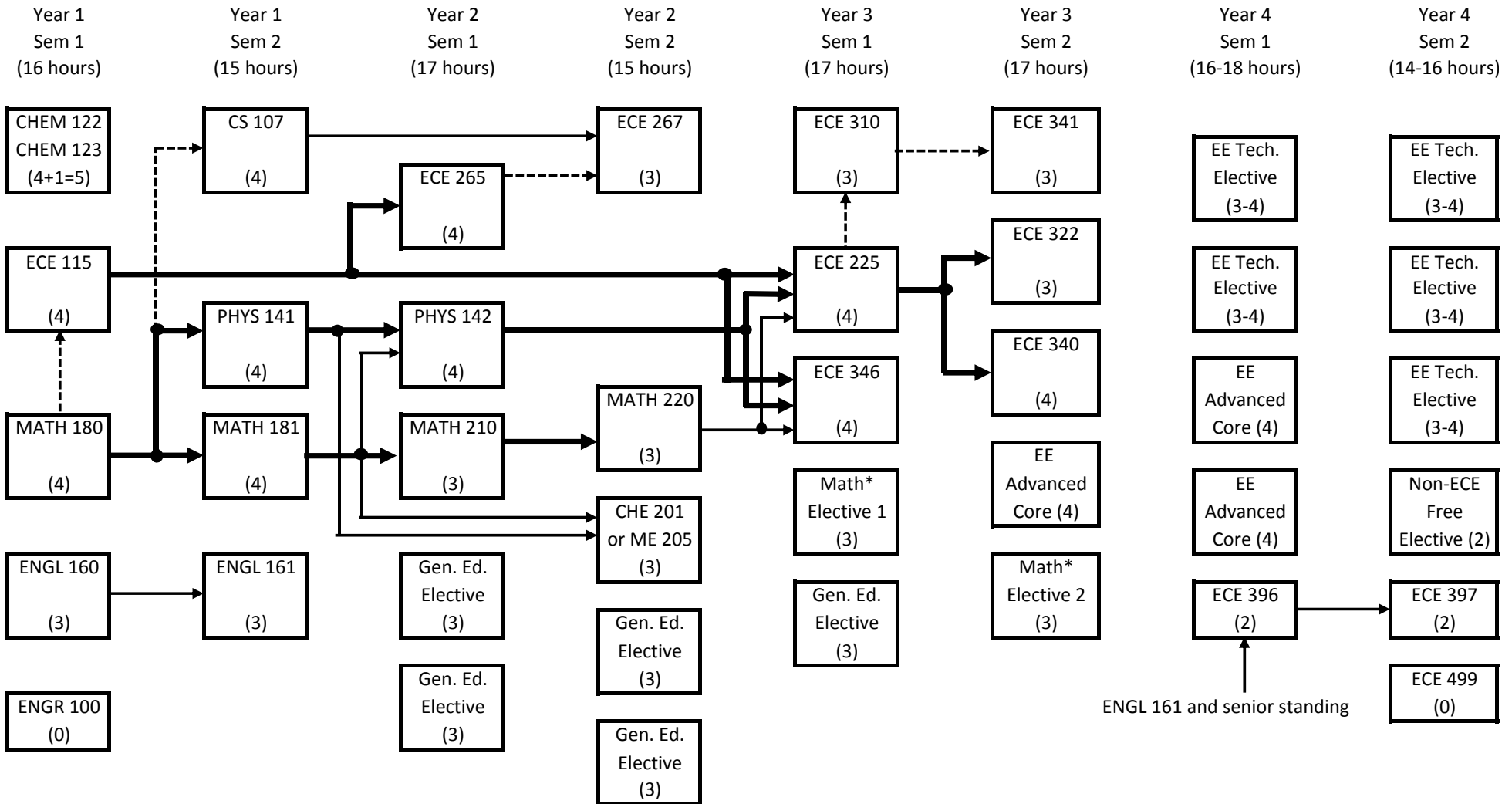
Applied Linear Algebra	MATH 310	3	"C" or better in MATH 210
Advanced Calculus I	MATH 410	3	"C" or better in MATH 210
Complex Analysis with Applications	MATH 417	3	"C" or better in MATH 210
Applied Partial Differential Equations	MATH 481	3	"C" or better in MATH 220
Numerical Analysis	MCS 471	3	Gr. of C or bett. in MCS 275 or Gr of C or bett. in CS 102 or Gr. of C or bett. in CS 108 or consent of instructor.

**FREE ELECTIVES(2 hrs)**

Students must select\* courses from outside the ECE Department.

(\*Students preparing for the Fundamentals of Engineering Examination, which leads to becoming a Licensed Professional Engineer, are advised to use these hours to take the course CME 201, Statics; and one course from the following courses: CME 203, Strength of Materials; CME 260, Properties of Materials; ME 211, Fluid Mechanics I.)

# UIC Electrical Engineering Curriculum - Suggested Schedule of Courses



→ Prerequisite course  
 → Grade ≥ C required in prerequisite  
 - - - Co-requisite course

\*Select **two** courses from: MATH 310, 410, 417, 481 & MCS 471

**EE Advanced Core Courses:**  
 ECE 311 (4), 317 (4), 342 (4), 350 (4), 367 (4), 424 (4)  
 (Must take at least three courses from this group)